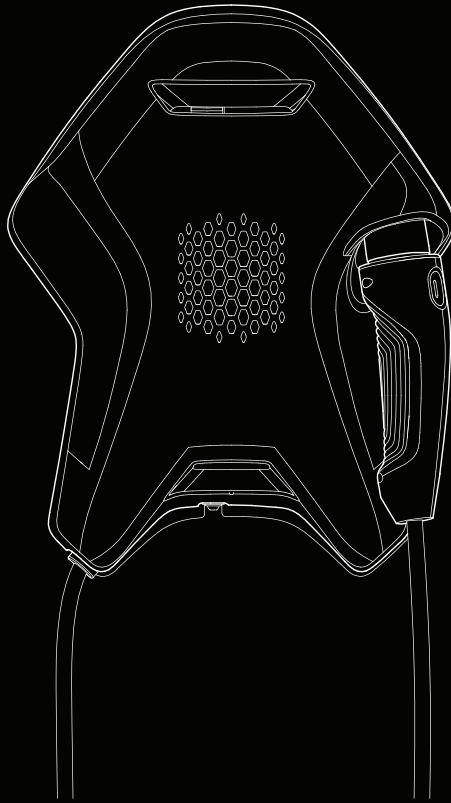
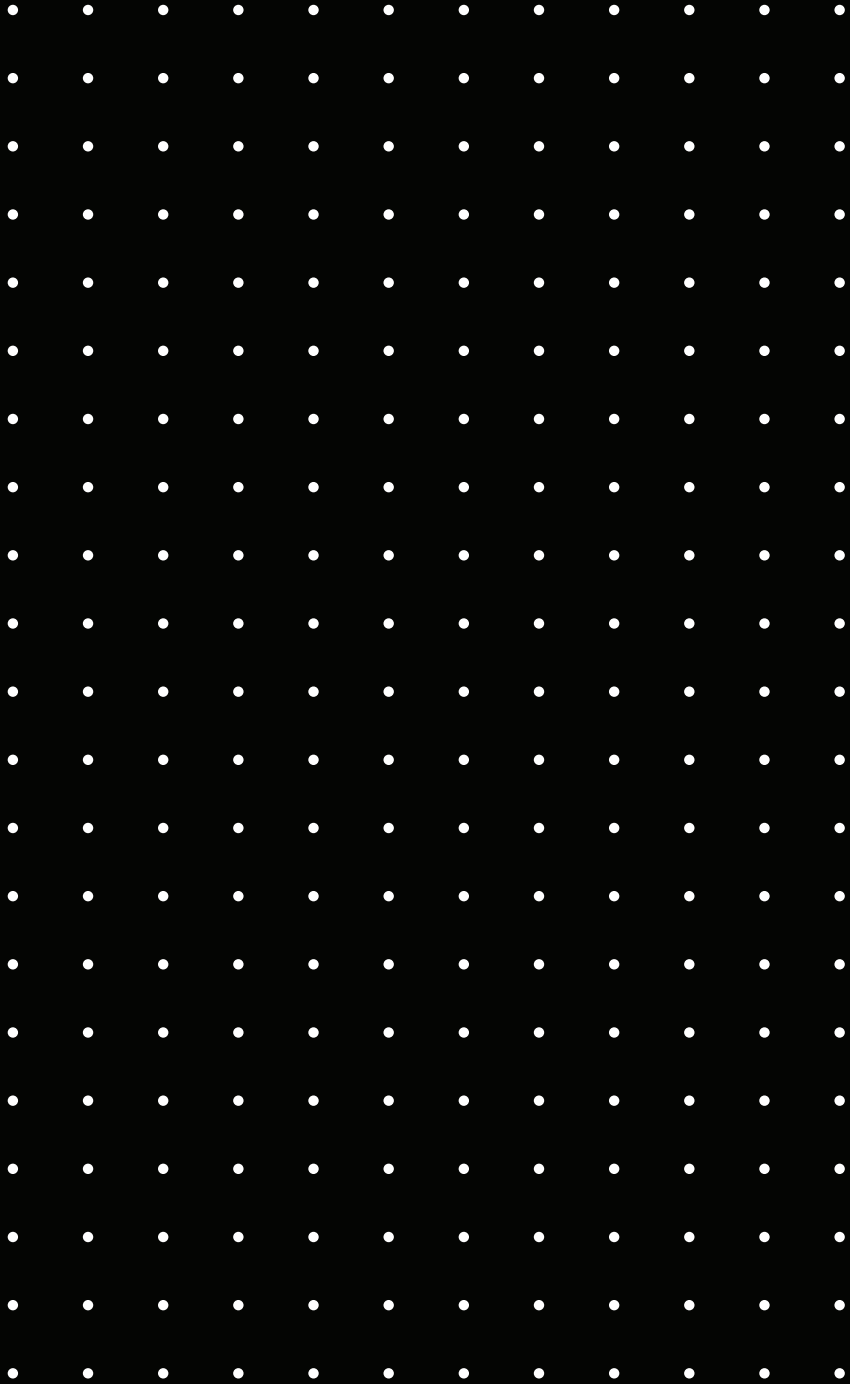


# Ather Dot™

Home Charging Point





# USER MANUAL & GUIDE

Manuals might be boring, but do flip through every page. We have cut the fuff to keep this manual to the point, so that it's easy to read.

## **01 All about the Ather Dot™**

What's in the box?	7
Specifications	8

---

## **02 Installation**

Pre-checks	10
How to install?	11
Connecting the Ather Dot™ to your meter	16
Safety instructions	21

---

## **03 How to take care of the Ather Dot™ ?**

The PRCD	23
The Dos & Don'ts	24
Cleaning	24
Learn its language	25

---

## **04 Other safety instructions**

Warnings!	27
Cautions	28

---

## **05 Troubleshoot** 28

# 01

# All about the Ather Dot™

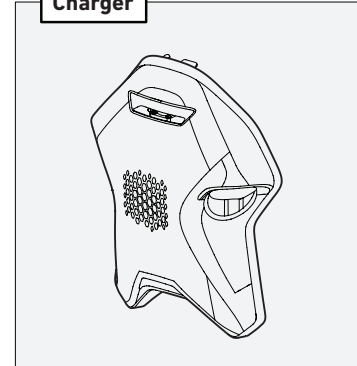


Ather Dot™ is a home charging point for your Ather 450. It can be installed with the help of any trained electrician. The step-by-step installation process has been jotted down clearly here, along with the do's & don'ts, warnings and cautions.

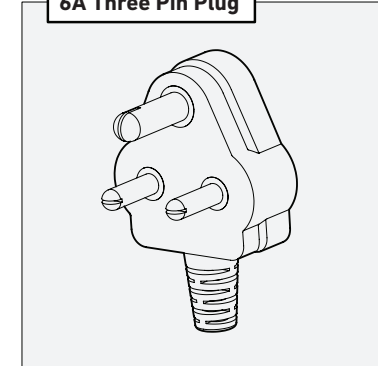
## What's in the box?

The package contains 6 items in total -

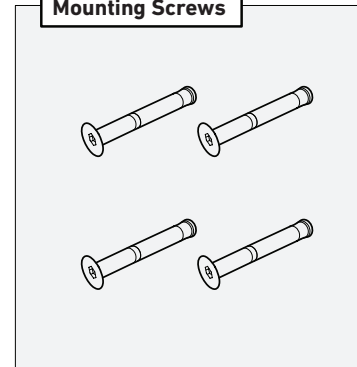
Charger



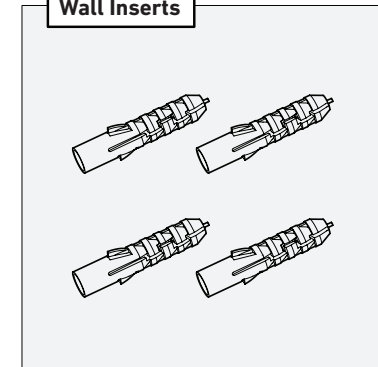
6A Three Pin Plug



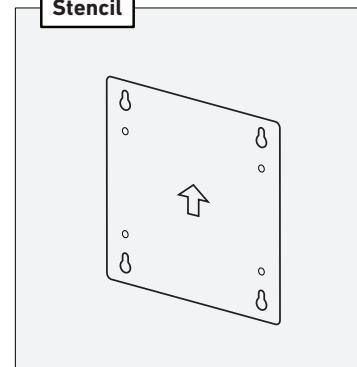
Mounting Screws



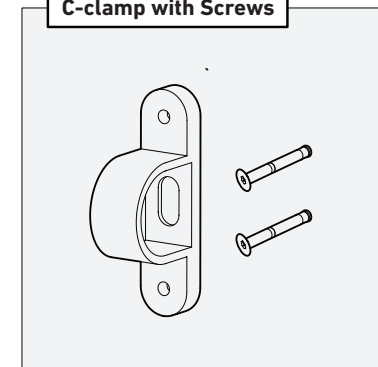
Wall Inserts



Stencil



C-clamp with Screws



Specifications

**Input**

**Operating voltage and wiring**

185V AC - 275V AC single-phase

**Frequency**

50 Hz

**Current**

3.5A maximum

**Output**

59V 12A

**Weight including bracket**

3.6 kgs

**Cable length**

1 meter input cable

2 meter output cable

**Operating temperature**

0 °C - 45 °C

**Dimensions**

(D)363.5 mm X (W)233 mm X (H)98 mm

# 02

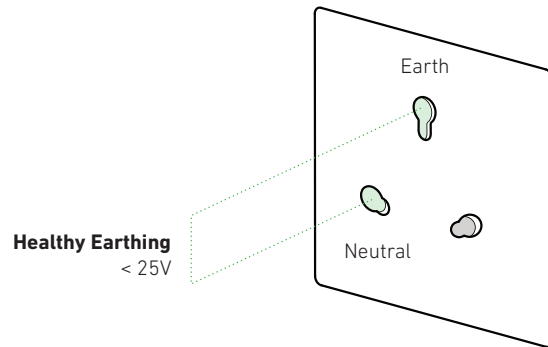
# Installation



We have detailed out every step here to ensure a smooth installation. Pre-checks are a must, so flip the page and go through each one of them.

## Installation pre-checks

- › Make sure that your home has proper earthing. If the voltage between Neutral-Earth terminals of any socket in your home is less than 25V, the earthing qualifies to be healthy.



*Note: Get your local electrician to check the voltage or DIY using the multimeter in case you want to check the health of the socket's earth connection.*

- › Ensure that the electric source is close by. The Ather Dot™ comes with 1 meter of input cable. The open terminals of the input cable must be connected to the circuit breaker that is next to the utility energy meter of your home, as explained in the "How to install?" section (pg. 11).

*Note: Do assess beforehand, just in case you need a longer wire, as we do not recommend using extension cords.*

- › You can also use a 6A socket, by connecting the 3 pin plug to the open terminals of the input cable, in case you do not have access to the energy meter of your home.

## 4 things you need

- › Drill machine with M6 wall drilling attachment and hammer
- › Multimeter
- › Screwdriver
- › Cables and conduit (For wire extension to the meter)

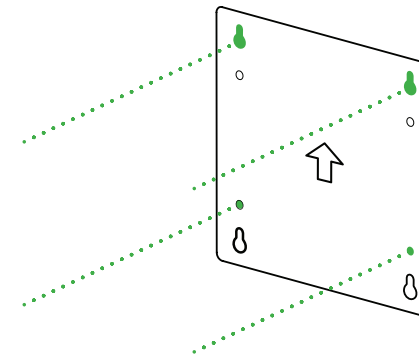
## **How to install?**

Steps to set-up the Ather Dot™

### Step 1

**Use the stencil to precisely mark all the 4 screws' position on the wall. The arrow mark on stencil should be pointing upwards for an accurate marking.**

**Recommended height: 1.5 m from the ground.**



*Note - In case of uneven surface or obstacles at the recommended height, you can mount the Ather Dot™ at your convenient height. Just that, it should not be too low for the Ather Dot™ to get affected by water clogging or splashing.*

## Step 2

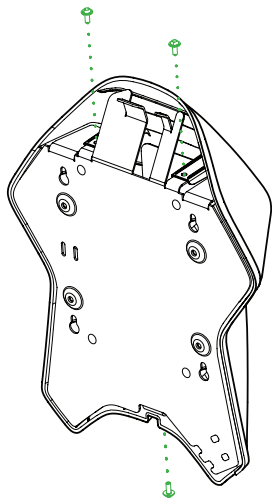
Clear any clutter around the Ather Dot™ -100mm on the docking side for an easy access to the charging connector.

## Step 3

Drill holes with an M6 drill attachment and install the wall inserts in the drilled holes.

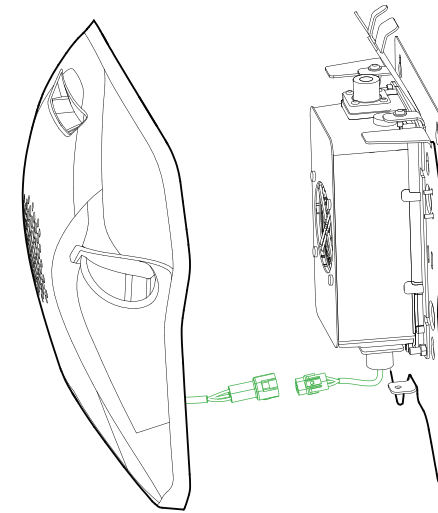
## Step 4

Unscrew the 3 bolts present on the face of the home charger.



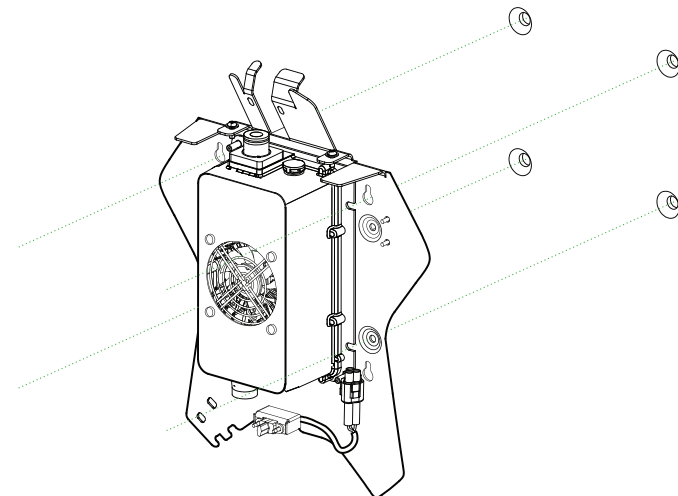
## Step 5

Detach the wire that's connecting the face and the body to separate them.



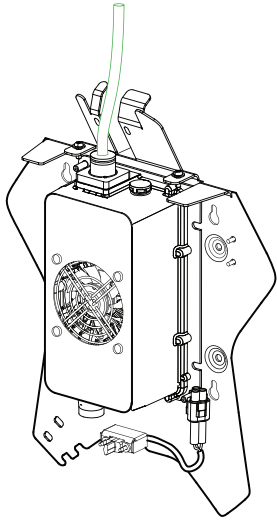
## Step 6

Pick the body of the charger, align the holes on the outer area of the charger to the marking on the wall.



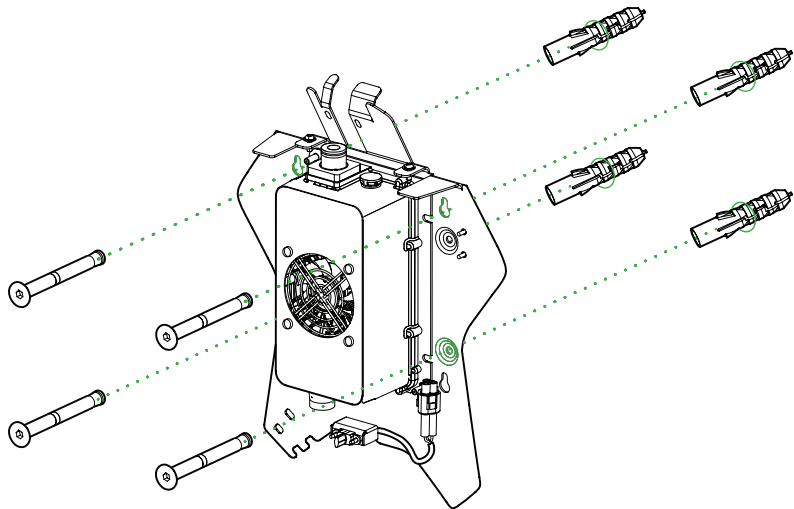
### Step 7

Make sure the charging wire passes from above, through the center of the Ather Dot™.



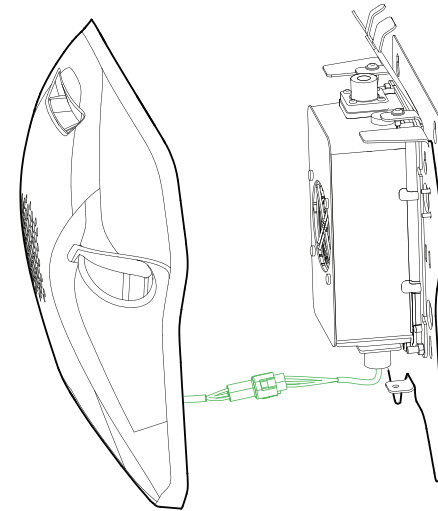
### Step 8

Now fix all the 4 wall mounting screws.



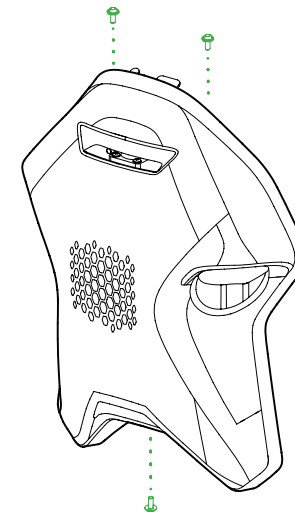
### Step 9

Take the face of the Ather Dot™, connect the wire that's hanging from the face to the wire that's hanging loose from the body.



### Step 10

Adjust the face to fit the body perfectly and bolt in the 3 screws.





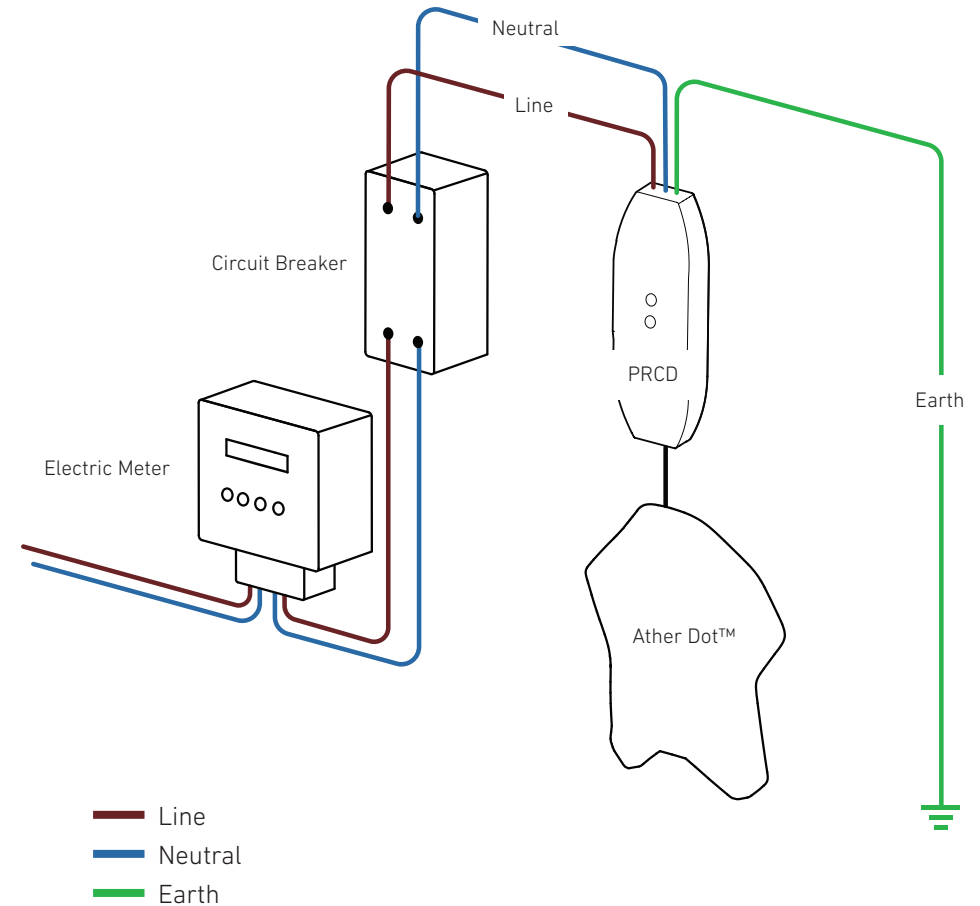
## How to connect your Ather Dot™ to the meter

There are two ways to connect the Ather Dot™ to your meter. Read through to understand what suits you better.

- › Direct connection (the preferred one)
- › Via 6A socket

### Direct connection

⚠ Caution: Before attempting the instructions given below, make sure that the electrical mains switch is turned OFF to avoid any accidental electric shocks. Use a multimeter to make sure you have no voltage between line and neutral terminals.

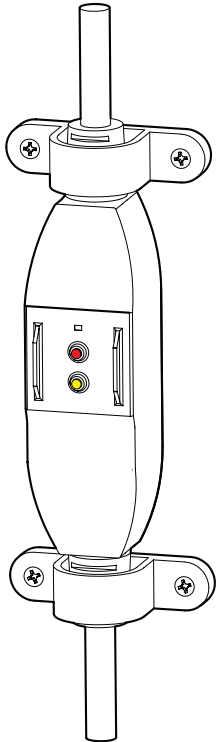


#### *Step 1*

Connect the three open terminals of the Ather Dot™ to the energy meter of your home. Make sure that the brown wire is connected to the Live terminal, blue wire is connected to the Neutral terminal and yellow-green wire is connected to the Earth terminal of the energy meter.

*Step 2*

Use the C-clamps to fix the Portable Residual Current Device (PRCD) intact over the wall surface.



*Step 3*

Switch ON the mains power.

**Via 6A socket**

*Step 1*

Connect the 3 pin plug to the 3 open terminals of Ather Dot™.

*Step 2*

Use the C-clamps to hold the PRCD intact over the wall surface

*Step 3*

Plug the charger into the socket using the connected 3 pin plug and power it ON. An earthed 3 pin 6A socket is a must for smooth and safe charging at all times.

*Note: In case you would like to install Ather Dot™ in a shared parking space in apartment complexes etc., it is advised to install a utility energy meter and connect the Ather Dot™ through the meter. This will help you to bill the power consumed by Ather Dot™ and pay back the apartment society. Alternatively, you could connect the socket directly to your dedicated utility meter.*

**Ideal state of the charger**

Solid Green LED- It signifies that the charger is healthy and is available for charging.

## Via Plug-type PRCD

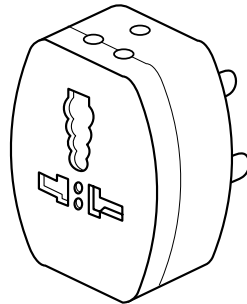
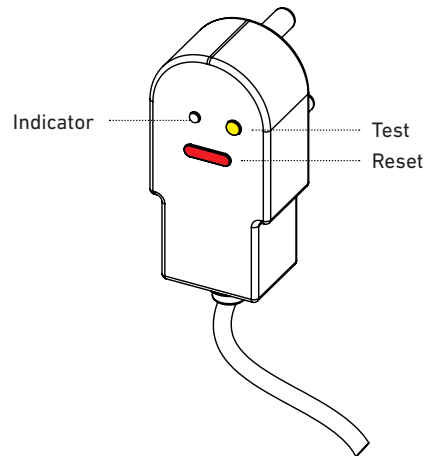
If your Ather Dot™ has the plug-type PRCD as shown below, follow these installation instructions.

### *Step 1*

Make sure that there is 16A/6A earthed 3 pin socket available. If it is a 6A socket, use the 16A to 6A converter to plug into the socket.

### *Step 2*

Plug the charger into the socket and power it ON.



## Installation safety instructions

### **⚠ Warnings!**

- › The Ather Dot™ must be grounded only via the Ather plug provided in this package
- › Do not install or use the Ather Dot™ near flammable, explosive, harsh, or combustible materials, chemicals, or vapours.
- › Do not forcefully fold or apply pressure to any part of the charger or damage it by using any sharp objects.
- › Use of the Ather Dot™ may affect or impair the operation of any medical or implantable electronic devices, such as an implantable cardiac pacemaker or an implantable cardioverter defibrillator. Before using Ather Dot™, check with your electronic device manufacturer if charging may have any adverse effect on such electronic devices.
- › For Indoor use only. It could be used outdoors when installed by an Ather Technician or by using the Ather recommended additional accessories to make any pre-installed socket water resistant.
- › Do not use the Ather Dot™ if it is defective, appears cracked, frayed, broken, or otherwise damaged, or if it fails to operate.
- › Ensure that the fuse or MCB (Miniature Circuit Breaker) is present before installing the Ather Dot™ on the Live line.

### **⚠ Caution!**

- › Carefully handle circuit boards and the components during installation to prevent any damage
- › Do not use an extension cord to power the Ather Dot™.

# 03

## How to take care of the Ather Dot™ ?

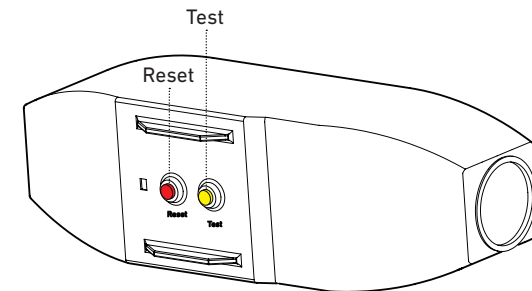


A few monthly checks, keeping in mind the cleaning tips and following the do's and don'ts will keep the Ather Dot™ well maintained. Here's all you need to do.

### The PRCD

- › *Why is PRCD important?*  
Portable Residual Current Device (PRCD) protects you from any electrical shocks in the event of charger malfunction, just in case of any manufacturing defects. It has 2 switches - Reset button and Test button.
- › *Reset Button:* Just in case the home charging point trips, simply press this button. If it trips repeatedly, please contact customer support.
- › *Test Button:* This is used to test the PRCD. If the home charging point turns OFF when you press the Test Button, it means your PRCD is working just fine.

*Note: Do not keep the Reset Button in pressed condition. It poses a safety risk in the event of actual electrical hazard on the Ather Dot™.*



- › *Monthly checks*  
Test PRCD using its Test Button at least once a month. Press the Test Button to check if PRCD cuts-off power from the Ather Dot™. In case power doesn't cut off, please contact customer support.

*Note: Press the Reset Button to restore Ather Dot™, right after you have checked the PRCD Test Button.*

## The Do's & Dont's

- › Ensure that the charging cable is always well secured, so that it's never stepped on, driven over, tripped on, or undergoes any damage or stress.
- › Always turn off the Ather Dot™ when not plugged into the vehicle.
- › Make sure the Ather Dot™'s air flow is never blocked to ensure its proper functioning.

## Cleaning

- › Do not use cleaning solvents to clean any part or component of the Ather Dot™.
- › The facade of the Ather Dot™, charging cable, and the connector end of the charging cable should be regularly wiped with a clean, dry cloth to prevent accumulation of dirt and dust.

### **Warning!**

- › Unplug the power cord before cleaning the Ather Dot™.
- › Do not use any chemicals to clean the Ather Dot™. Never spray any liquid onto the charger handle or wall plug
- › Store the charger handle in the dock to prevent unnecessary exposure to moisture and contamination
- › Never submerge the Ather Dot™'s handle or wall plug in any kind of liquid

## Learn its language

The Ather Dot™ - your home charging point, speaks to you. The changing state of the LED light communicates to you about how it's doing. *Every colour tells you something.*

### **Solid amber light**

Your home charging point's software is being updated over-the-air (OTA).

### **Solid green light**

*When not connected to the vehicle* - Your home charging point is healthy and is available for charging.

*When connected to the vehicle* - Charging is done.

### **Blinking green light**

Charging in progress

### **Solid red light**

A fault has been detected in your home charging point. Please contact customer support

### **No light**

No power flow.

*Note: If you don't see any light (when there is power in your premises), press Reset Button on PRCD. If the Ather Dot™ still remains non-functional, please contact customer support.*

# 04

## Other safety instructions



Here is all the additional critical information that's a must read for your safety and to maintain the health of the Ather Dot™. Go through them carefully before you start using it.

### **Warnings!**

#### > *Daily usage*

The device should be supervised when used around children.

Do not touch the Ather Dot™'s end terminals with fingers or sharp metallic objects, such as wire, tools, or needles. No goofing around.

Do not insert foreign objects into any part of the Ather Dot™.

Use Ather Dot™ only within the specified operating parameters.

#### > *Repair work*

Do not attempt to disassemble, repair, tamper with, or modify the Ather Dot™. It is not user serviceable. Get in touch with customer support for any repairs or modification.

#### > *Transportation*

When transporting the Ather Dot™, handle it with care. Do not subject it to strong force or impact or pull, twist, tangle, drag, or step on.



### **Electrical equipment**

*Please handle with care.*

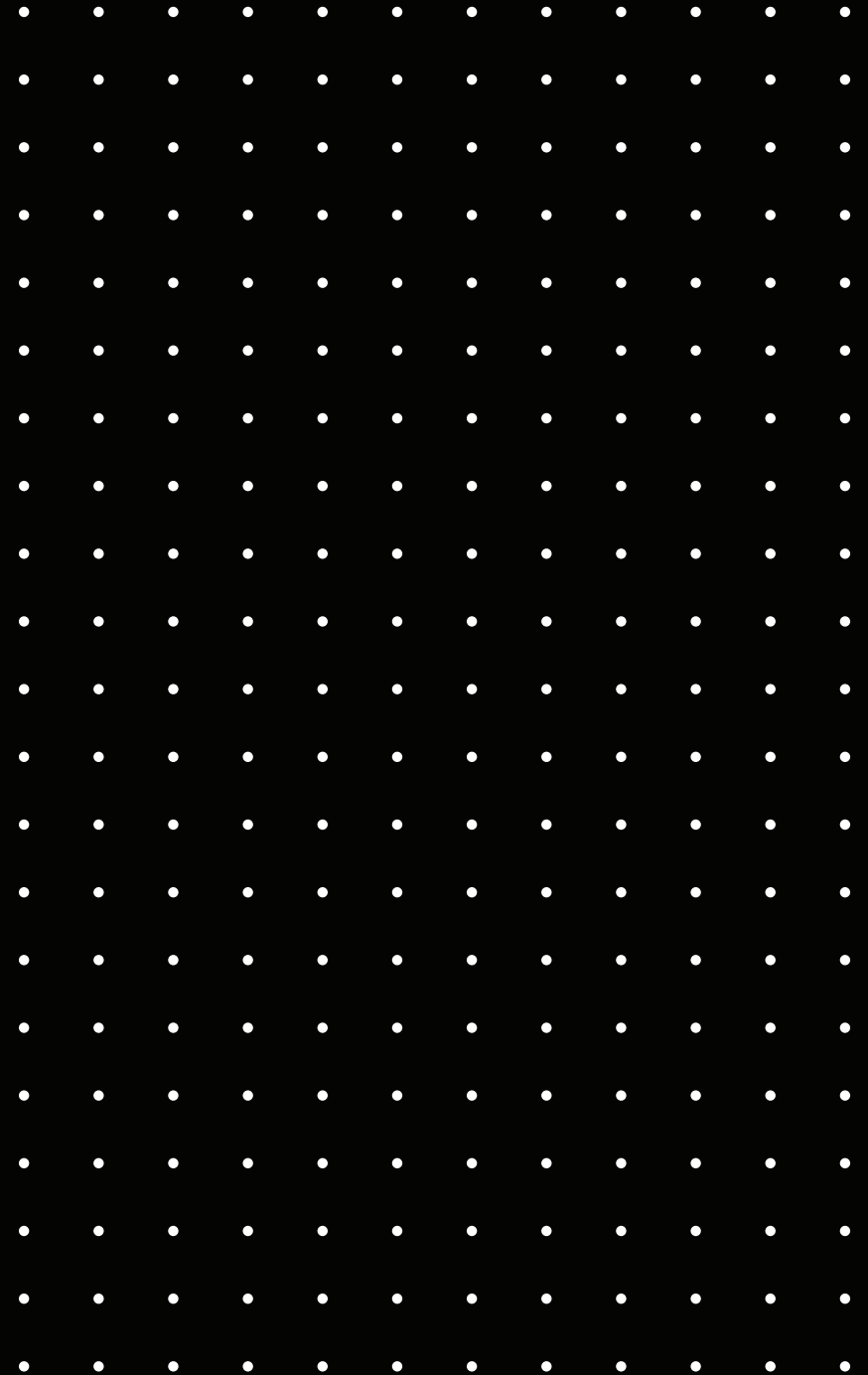
### **Caution**

- › Do not use private power generators as a power source for charging
- › Do not operate the Ather Dot™ in temperatures outside its operating range. Acceptable limits are mentioned in the product specifications (pg: 8)
- › Incorrect installation and testing of the Ather Dot™ could potentially damage either the vehicle's battery and/or the Ather Dot™ itself. Any resulting damage is excluded from the New Vehicle Limited Warranty and the Charging Equipment Limited Warranty.

### **Troubleshoot**

- › If the LED on the Ather Dot™ shows a solid red light, switch OFF the power for 10 seconds and switch ON again.
- › If the above step fails to restart the Ather Dot™ even after 3 trials, get in touch with customer support for further instructions.

**CUSTOMER SUPPORT NUMBER: +91 7676 600 900**



**DISCLAIMER**

Ather endeavours to ensure the accuracy of the information contained herein, however, Ather does not warrant the same. Your use of the Ather vehicle and the Ather Dot™ shall be governed by the terms of your agreement with Ather and other than as expressly set out in such an agreement, this user guide does not and will not have the effect of limiting, expanding or otherwise modifying the terms and conditions including but not limited to the warranties, set out therein. You acknowledge that any usage of the Ather vehicle and Ather Dot™ in contravention to this user guide may render your warranties invalid.



